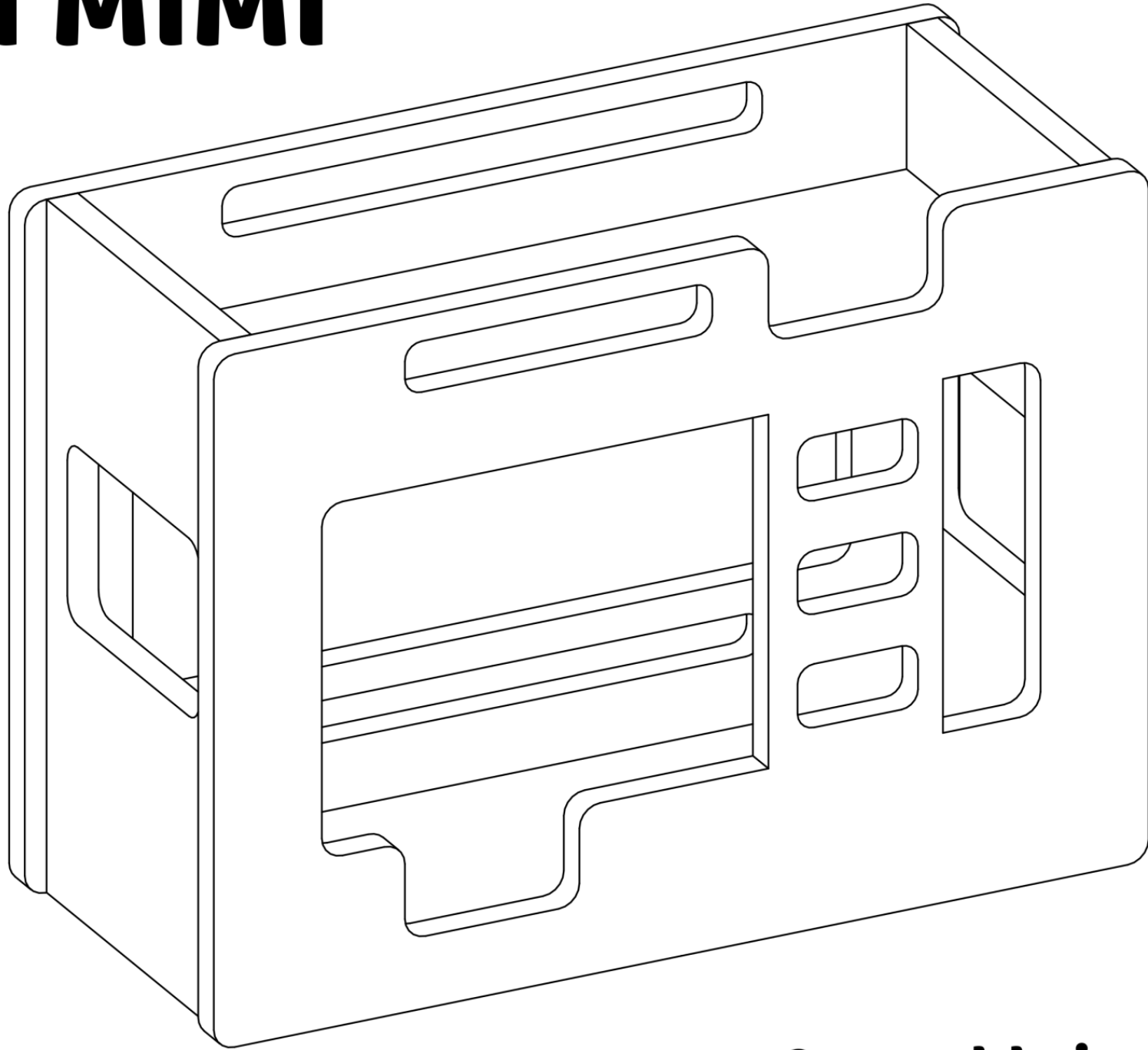
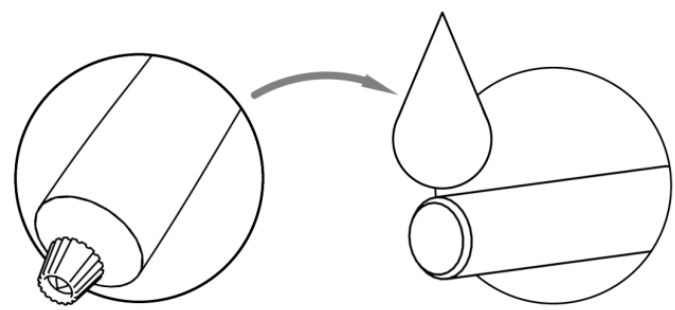
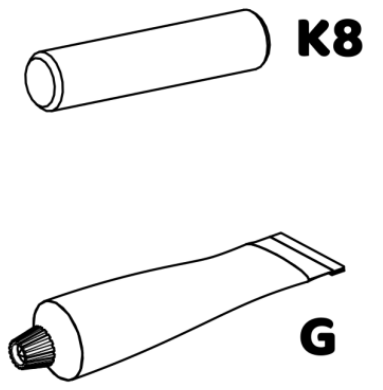
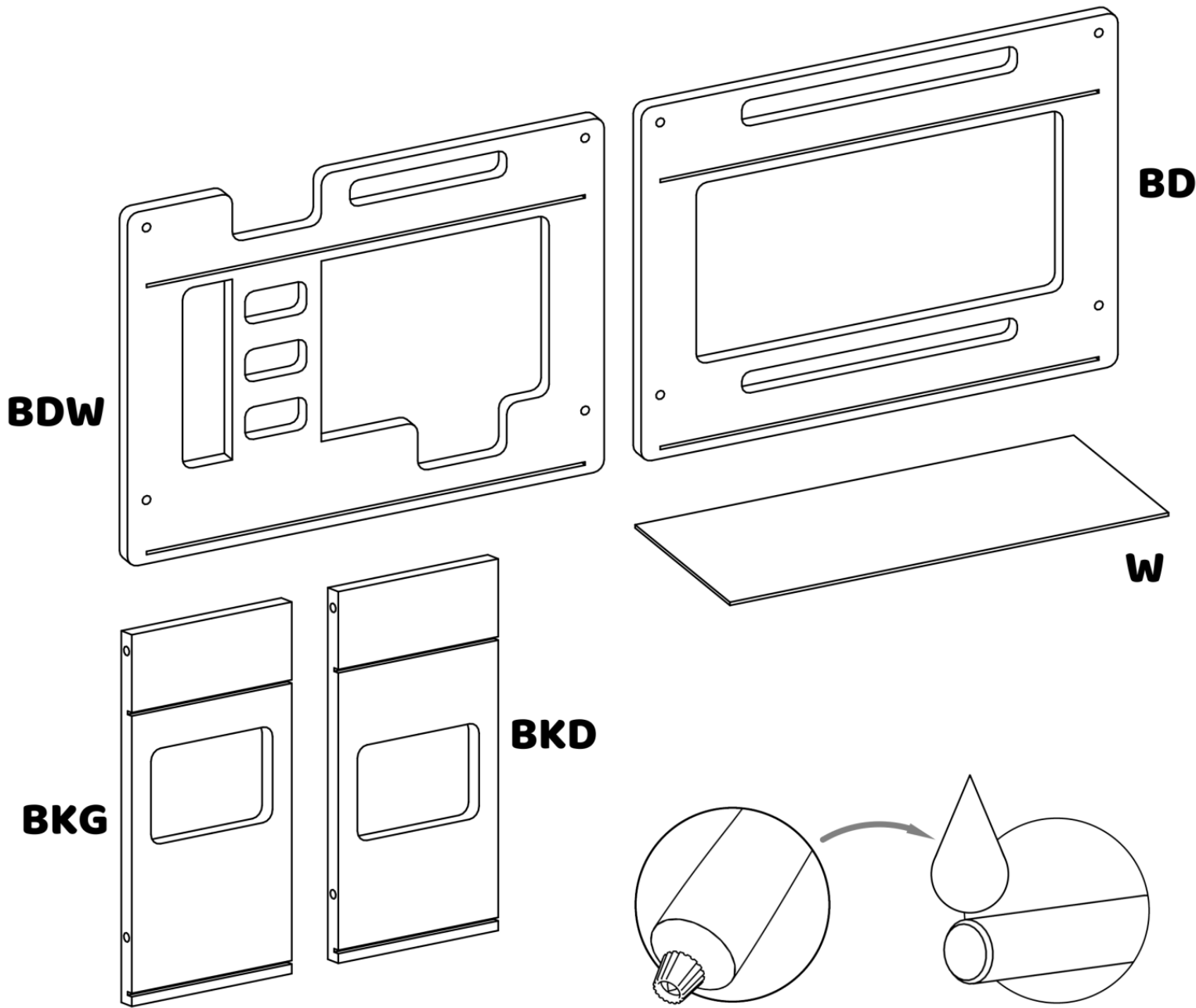


MINI MIMI

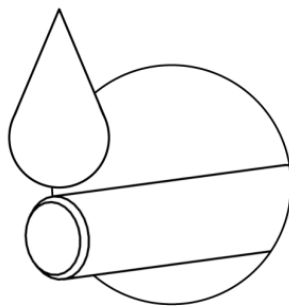
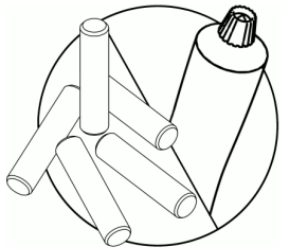


Assembly instruction



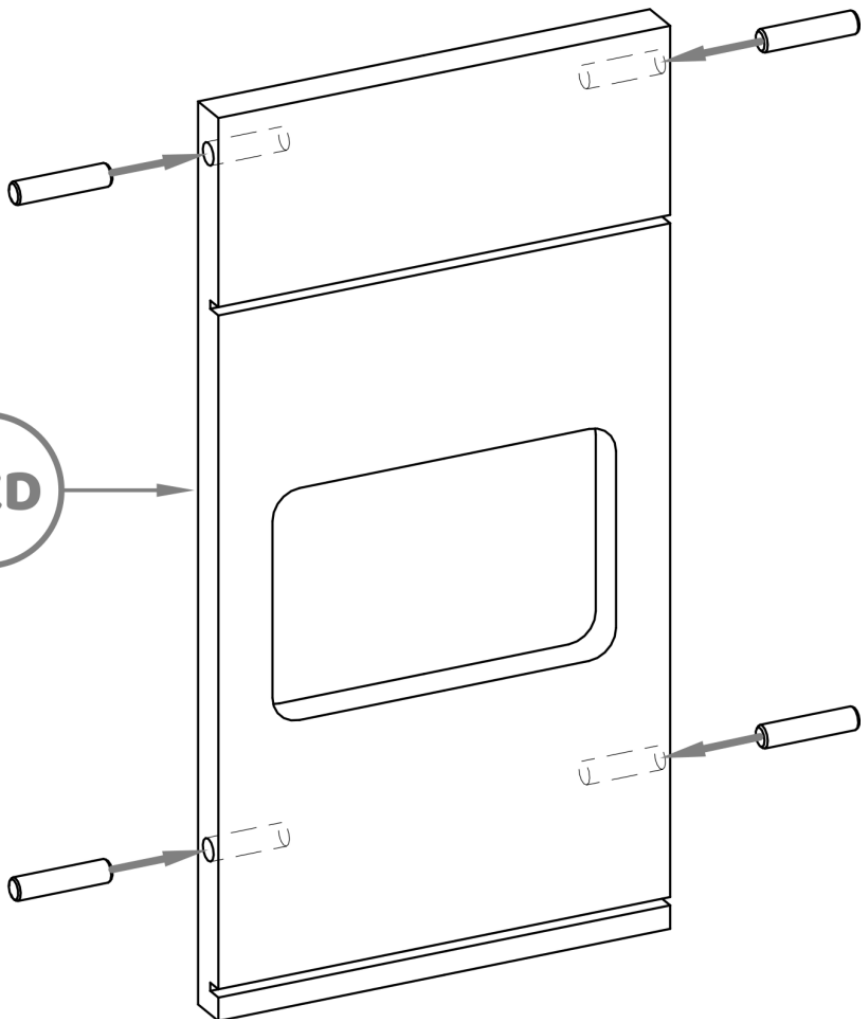
MINI MIMI

BDW	x1
BD	x1
BKG	x1
BKD	x1
W	x2
K	x8
G	x1

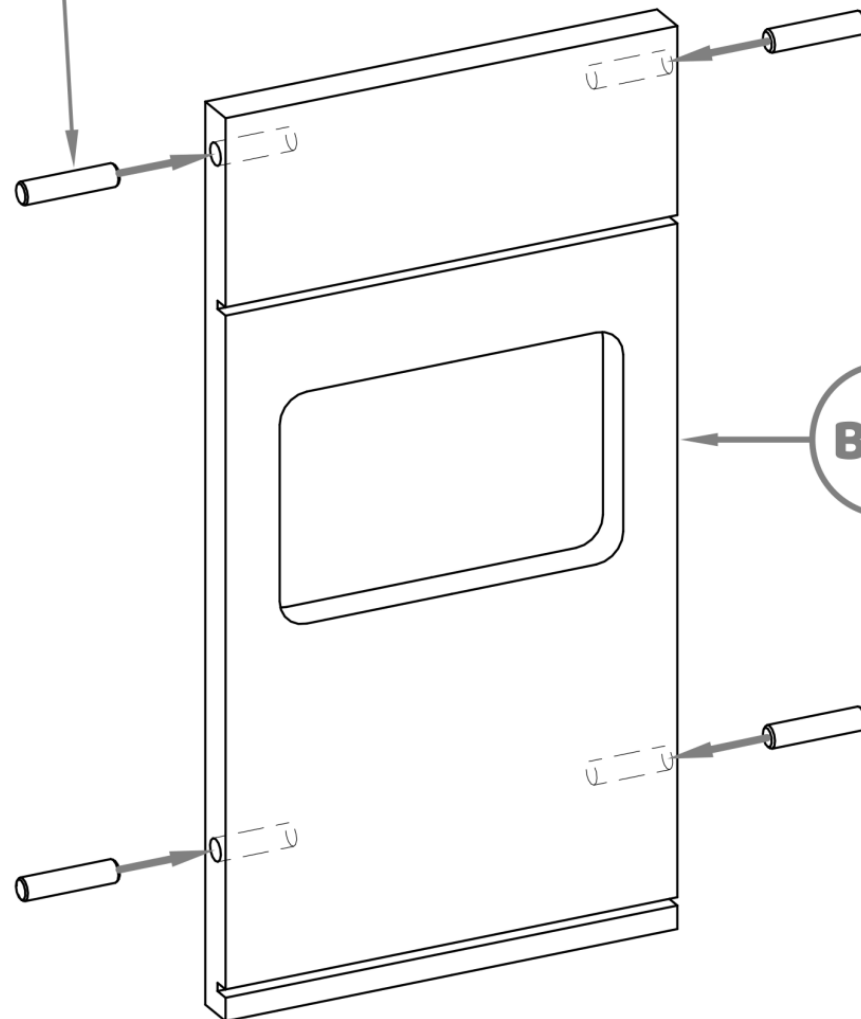


K8

BKD

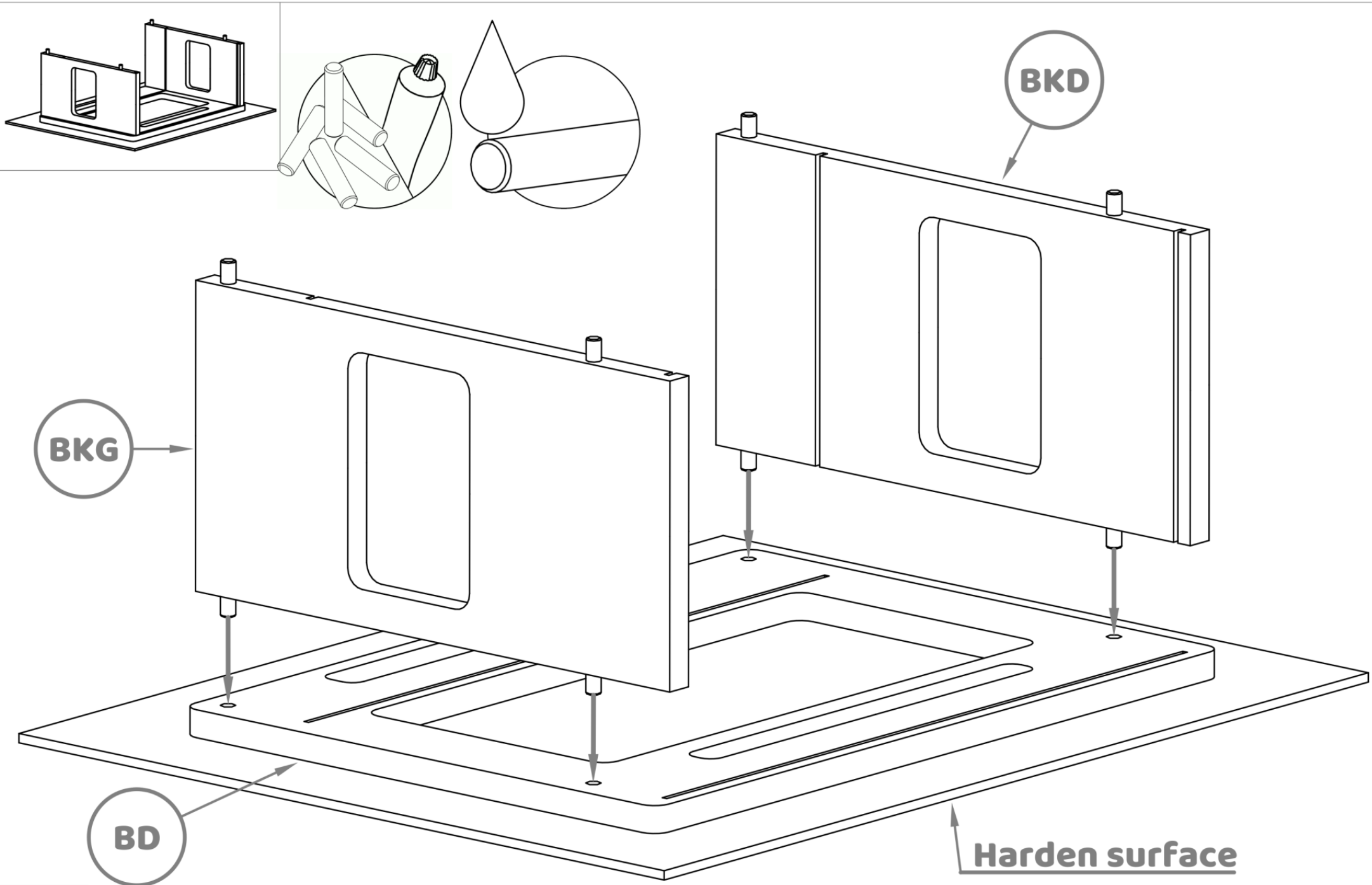


BKG



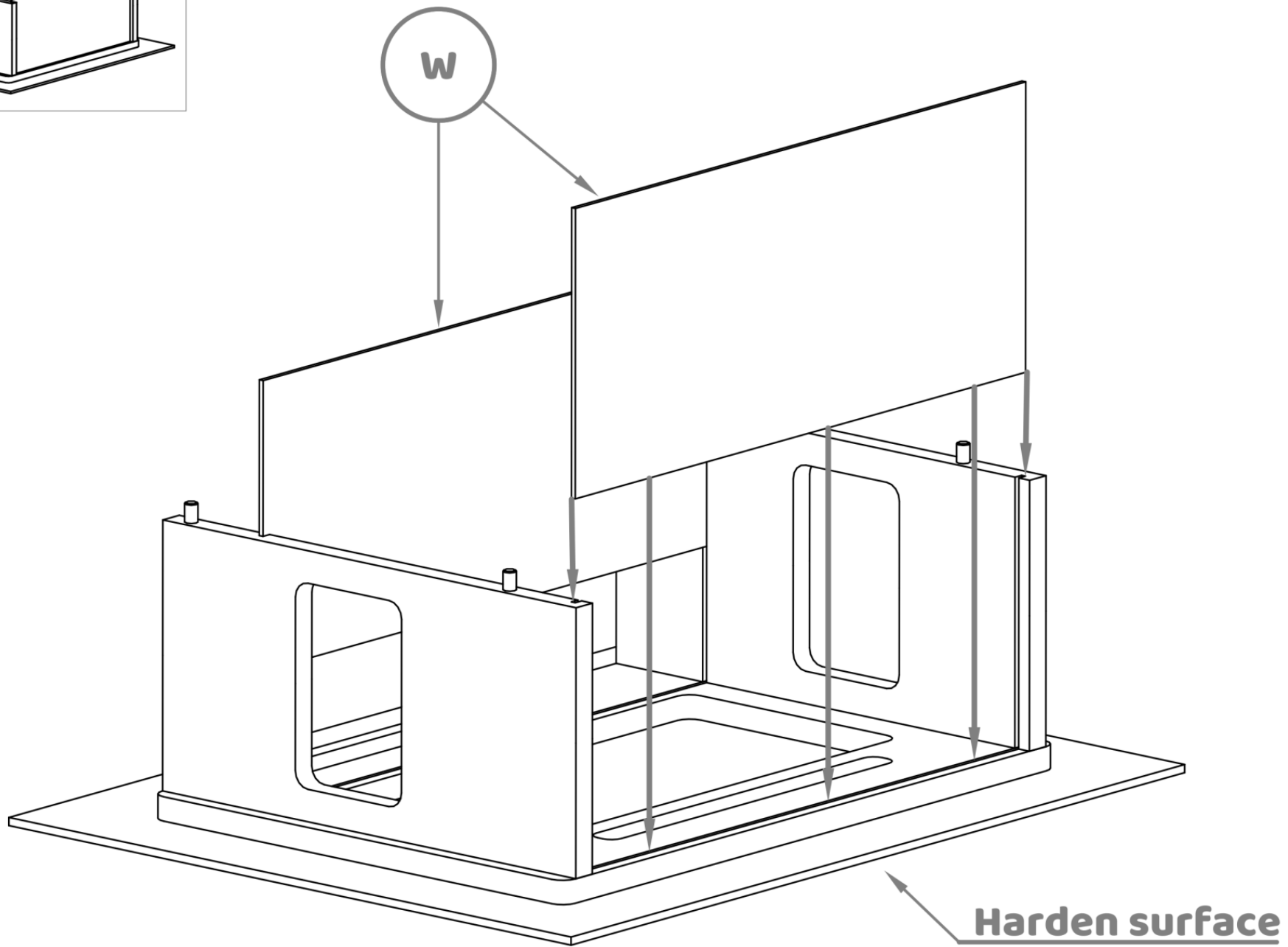
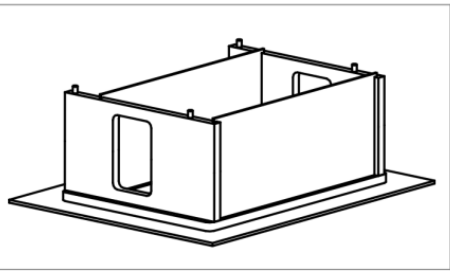
2

To avoid damaging parts of the toy, it is highly recommended to use flat and hard surface when inserting wooden pegs!

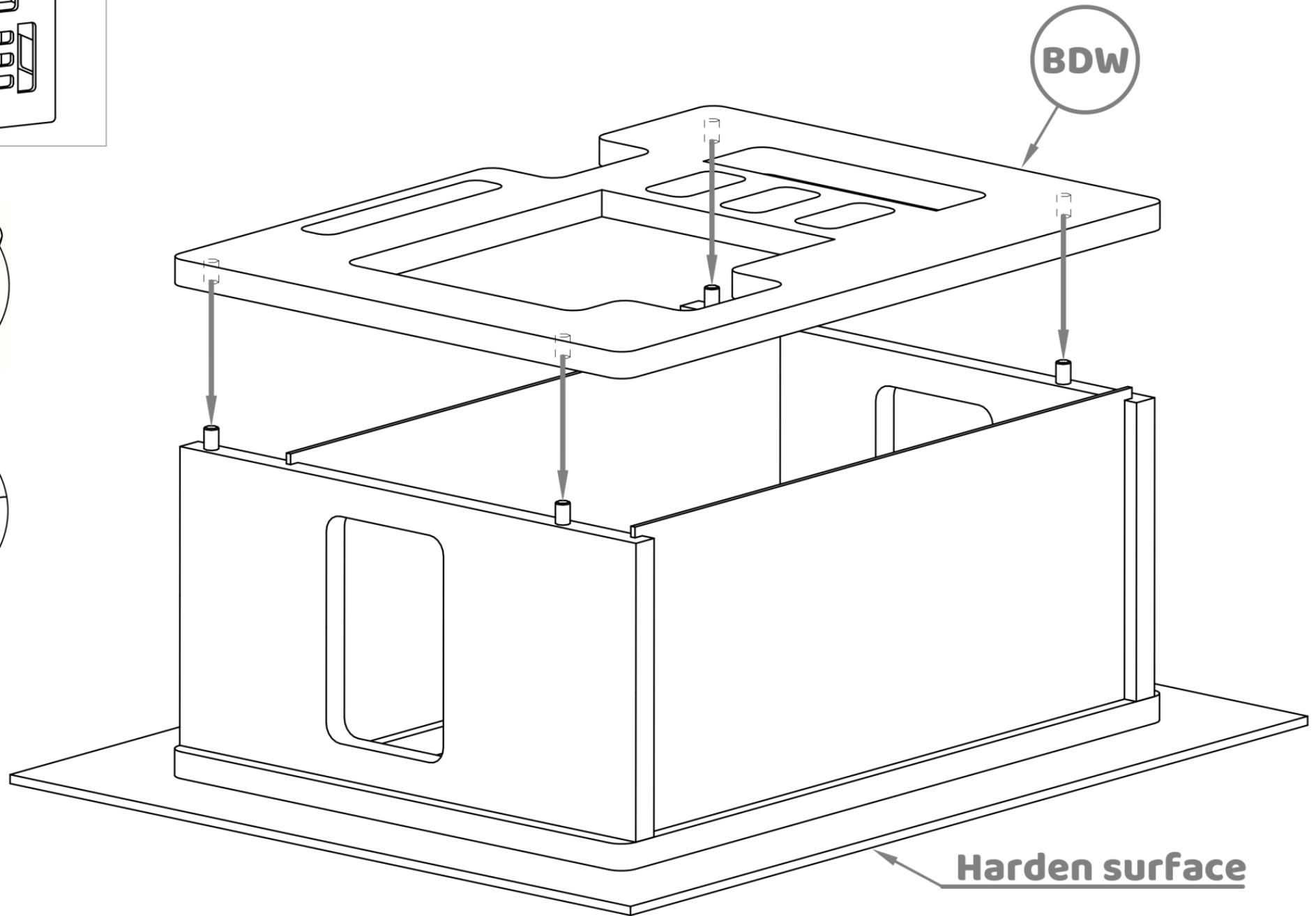
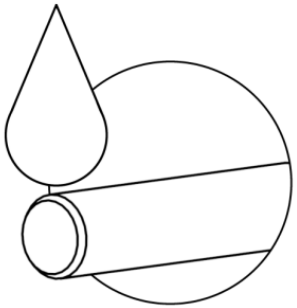
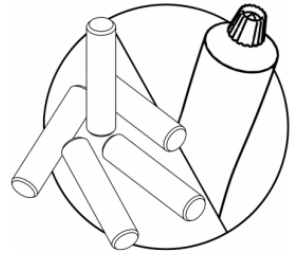
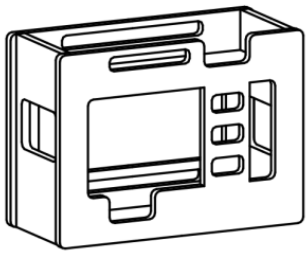


3

To avoid damaging parts of the toy, it is highly recommended to use flat and hard surface when inserting wooden pegs!



4



5

To avoid damaging parts of the toy, it is highly recommended to use flat and hard surface when inserting wooden pegs!